

## EJB SERIES JUNCTION BOXES



### INDUSTRY STANDARDS

#### ATEX Directive 94/9/EC

EN 60079-0  
 EN 60079-1  
 EN 60079-31  
 EN 60079-11  
 EN 60079-26  
 EN60529  
 EN 60439-1

#### Certifications

II 2(1) GD Ex d [ia] IIB Ex tD A21 T5/T6 IP 65/66/67  
 II 2GD Ex d IIB+H2 T6,T5, T4 Gb Ex tb IIIC T85°C, T100°C, T135°C Db IP66/67  
 II 2(1) GD Ex d [ia Ga] IIB+H2 T6, T5 Gb Ex tb [ia Da] IIIC T85°C, T100°C Db IP66/67

CESI 00 ATEX 036U (Component)  
 CESI 01 ATEX 026 ( terminal box)  
 CESI 01 ATEX 027 (Control, command and signaling units)  
 CESI 02 ATEX 073 (Interface units)  
 CESI 03 ATEX 015 (Unit with dischargers)  
 IECEx TSA 06.0011 - GOST R – BRAZILIAN

GOST-R, INMETRO, Australia certifications available

**Ambient Temperature: -50 C to +60C**

### APPLICATION

EJB series junction boxes are enclosures applicable for Zone 1, 2, 21 or 22 with ATEX and IECEx certifications. They can be used as junction boxes with or without terminals or for installation of electrical equipment such as circuit breakers, signals, disconnectors, remote control switches or transformers.

Body and cover can be drilled and threaded according to customers' specification. In accordance with rules, Hoffman must perform the drilling.

### FEATURES

- Low copper aluminum alloy enclosure with stainless steel bolts and screws for corrosion resistance
- Cast hinges for robust construction (except for EJB-55)
- High temperature-resistant silicone gasket provides IP66 / 67 rating
- Stainless steel bolts and screws
- Electrogalvanized steel mounting bracket
- Epoxy coating RAL 7035 (Light grey) coating
- Aluminum alloy passes the tests required by standards EN 60068-2-30 (hot/humid cycles) and EN 60068-2-11 (salt mist tests)
- Internal mounting panel
- Body and cover can be drilled and threaded according to customers' specifications

### ACCESSORIES

Hazardous Location Breather Drains  
 Hazardous Location Window Kits

### OPTIONS

Internal anti-condensation coating RAL 2004 (pure orange)  
 External epoxy coating in different color (specify the RAL number)

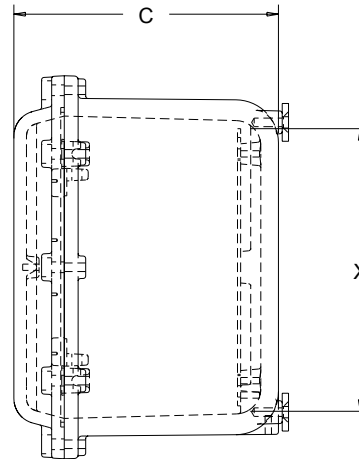
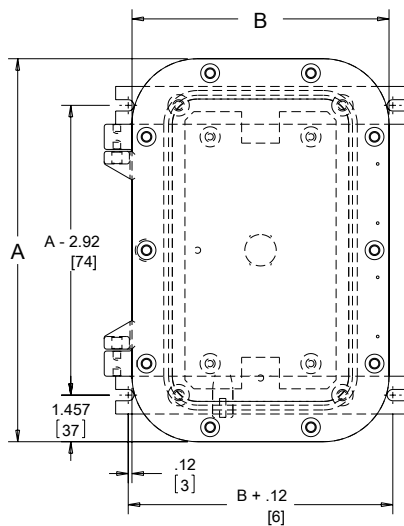
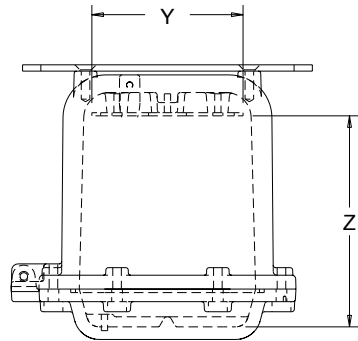
### MODIFICATION AND CUSTOMIZATION

Hoffman excels at modifying and customizing products to your specifications. Contact your local Hoffman sales office or distributor for complete information.

**BULLETIN: HL5AA**

Standard Product

Catalog Number	AxBxC in./mm	X in./mm	Y in./mm	Z in./mm	Material	Weight (lb.)	Weight (kg)
EJB1	11.97 x 8.03 x 8.58 304 x 204 x 218	8.66 220	4.72 120	6.59 167	Aluminum	22.70	10.30
EJB3A	14.33 x 11.18 x 10.94 364 x 284 x 278	11.02 280	7.87 200	8.41 214	Aluminum	45.40	17.60
EJB4A	17.01 x 13.07 x 11.77 432 x 332 x 299	13.39 340	9.45 240	9.19 233	Aluminum	58.63	26.60
EJB45A	22.32 x 15.24 x 11.73 567 x 387 x 298	18.11 460	11.02 280	9.00 229	Aluminum	88.38	40.10
EJB5A	24.88 x 17.01 x 10.67 632 x 432 x 271	21.26 540	13.39 340	10.85 276	Aluminum	115.05	52.20
EJB6	34.25 x 22.05 x 18.90 870 x 560 x 480	28.35 720	19.69 500	14.67 373	Aluminum	351.76	159.60
EJB3BA	14.33 x 11.18 x 8.58 364 x 284 x 218	11.02 280	7.87 200	6.04 153	Aluminum	38.79	17.60
EJB4BA	17.01 x 13.07 x 9.02 432 x 332 x 229	13.55 344	9.45 240	6.44 164	Aluminum	49.81	22.60
EJB45BA	22.32 x 15.24 x 9.96 567 x 387 x 253	18.11 460	11.02 280	7.03 479	Aluminum	80.45	36.50
EJB5BA	24.88 x 17.01 x 9.02 632 x 432 x 229	21.26 540	13.39 340	7.97 202	Aluminum	98.30	44.60
EJB6B	34.25 x 25.59 x 14.96 870 x 650 x 380	28.35 720	19.69 500	10.73 272	Aluminum	307.90	139.70



89115226